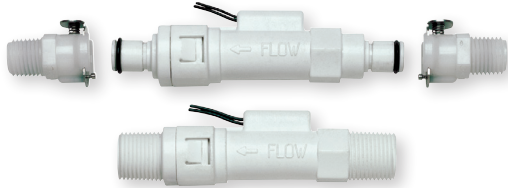


# POLYPROPYLENE FLOW SWITCHES

Fixed Set Points from 0.25 to 2.0 GPM, 3/8" NPT or "Quick Disconnect" Adapters



The **Series P3 Polypropylene Flow Switches** fit almost any piping requirements with compatible liquids. Choose the inlet and outlet port to be 3/8" male NPT or 1/4" male "Quick Disconnect" then select a quick disconnect acetal adapter for straight through flow or with a shut off valve.

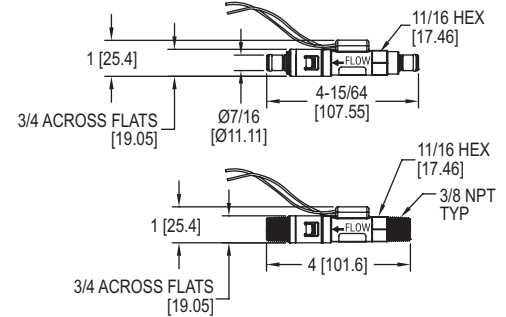
**FEATURES/BENEFITS**

- Piston design incorporates a hermetically sealed SPST magnetic reed switch
- Easy integration to existing piping with a variety of fitting options
- Selectable shut off valve will stop line flow when the adapter is removed from the switch
- Economical design

**APPLICATIONS**

- Pure water equipment
- Filter life monitoring
- Heat exchangers
- Cooling applications

| MODEL CHART |                  |                     |
|-------------|------------------|---------------------|
| Model       | Connection       | Actuation Set Point |
| P3-31       | 3/8" NPT         | 0.25 GPM (.95 LPM)  |
| P3-32       | 3/8" NPT         | 0.50 GPM (1.89 LPM) |
| P3-33       | 3/8" NPT         | 1.0 GPM (3.79 LPM)  |
| P3-34       | 3/8" NPT         | 1.5 GPM (5.68 LPM)  |
| P3-35       | 3/8" NPT         | 2.0 GPM (7.57 LPM)  |
| P3-41       | Quick disconnect | 0.25 GPM (.95 LPM)  |
| P3-42       | Quick disconnect | 0.50 GPM (1.89 LPM) |
| P3-43       | Quick disconnect | 1.0 GPM (3.79 LPM)  |
| P3-44       | Quick disconnect | 1.5 GPM (5.68 LPM)  |
| P3-45       | Quick disconnect | 2.0 GPM (7.57 LPM)  |



Flow Switches, Shuttle/Piston

**SPECIFICATIONS**

**Service:** Compatible liquids.  
**Wetted Materials:** Housing: Polypropylene; Piston: PPS composite; Spring: 316 SS; O-ring: Fluorocarbon.  
**Temperature Limits:** 0 to 212°F (-18 to 100°C).  
**Pressure Limits:** 125 psig (8.6 bar) @ 70°F (21°C), 50 psig (3.4 bar) @ 212°F (100°C).  
**Accuracy:** 20% of set point.  
**Repeatability:** ±1%.  
**Switch Type:** SPST, NO.

**Electrical Rating:** .08 A @ 120 VAC.  
**Electrical Connection:** 24" (60.96 cm), polymeric wire leads, 22 AWG.  
**Process Connection:** 3/8" male NPT or 1/4" quick disconnect.  
**Mounting Orientation:** Any position. Set points shown are based on vertical, inlet down position.  
**Required Filtration:** 100 microns or better.  
**Weight:** 5 oz (0.14 kg).

**ADAPTERS**

| Model  | Connection   |
|--------|--|
| P3-801 | Quick disconnect straight through 1/4" NPT                           |
| P3-802 | Quick disconnect straight through 1/4" BSPT                          |
| P3-804 | Quick disconnect straight through 3/8" BSPT                          |
| P3-807 | Quick disconnect straight through 1/4" ID tubing                     |
| P3-901 | Quick disconnect straight through 1/4" NPT with shut-off valve       |
| P3-902 | Quick disconnect straight through 1/4" BSPT with shut-off valve      |
| P3-907 | Quick disconnect straight through 1/4" ID tubing with shut-off valve |